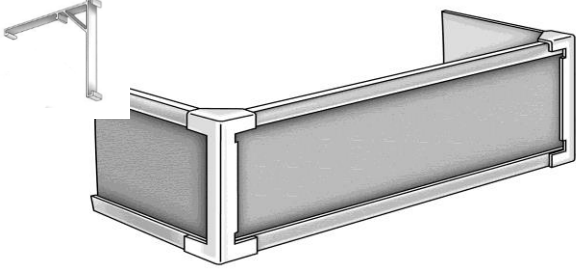
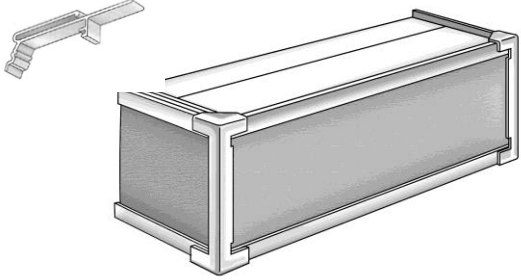
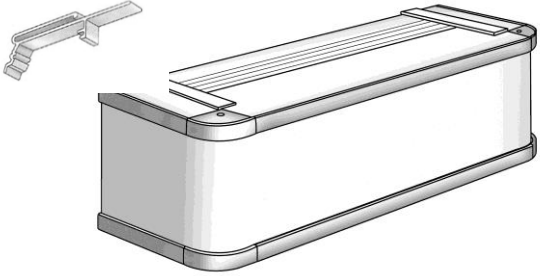
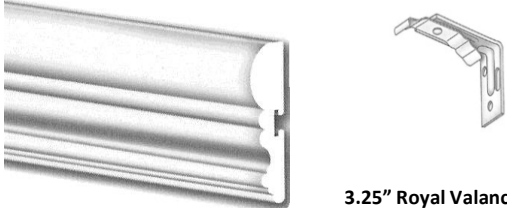


Vertical Blind Valance Options

Economy Channel Panel Valance	Square Corner Dust Cover Valance
<p><i>Not Available with M-1000 & M-1200 Headrails</i></p>  <ul style="list-style-type: none"> • 3-1/2" High Face • Single Piece Square Corner • Visible Valance Clip • Inside Mount Returns 1-1/2" Long • Outside Mount Returns 3-1/2" Long • Not available Fauxwood Verticals • Minimum Width 5" • Maximum Width Single Piece Valance 16' 	 <ul style="list-style-type: none"> • 3-1/2" High Face • Single Piece Square Corner • Hidden Valance Clip • Inside Mount Returns 1-1/2" Long • Outside Mount Returns 3-1/2" Long • Minimum Width 5" • Maximum Width Single Piece Valance 16'
Round Corner Valance	Royal Valance
 <ul style="list-style-type: none"> • 3-1/2" High Face • 3-Piece Round Corner • Hidden Valance Clip • Inside Mount Returns 1-1/2" Long • Outside Mount Returns 3-1/2" Long • Not available with Fauxwood Verticals • Minimum Width 5" • Maximum Width Single Piece Valance 16' 	<p><i>These Valances Match The Available Horizontal Blind Valances (Outside Mount Only on Verticals)</i></p>  <p>3.25" Royal Valance</p> <ul style="list-style-type: none"> • Hidden Metal L-Bracket • Outside Mount Returns 3-1/2" Long • Recommended for 3-1/2" Fauxwood Verticals (surcharge applies) • Not available for Fabric Verticals • Minimum Width 8" • Maximum Width Single Piece Valance 9'

Valances Options:

- **Economy Valance = No Charge Option** for Designer PVC Patterns (Tables 1 through 8)
 - **Chargeable** Option for Builder's Quality, Regular Curved, & Regular Flat PVC's (Tables A & B)
- **Square Corner Valance = No Charge Option** for Designer PVC Patterns (Tables 1 through 8)
 - **Chargeable** Option for Builder's Quality, Regular Curved, & Regular Flat PVC's (Tables A & B)
- **Round Corner Valance = No Charge Option** for Designer PVC Patterns (Tables 1 through 8)
 - **Chargeable** Option for Builder's Quality, Regular Curved, & Regular Flat PVC's (Tables A & B)
 - Not available for 3-1/2" Fauxwood Textured & Fauxwood RealGrain Vertical Blinds
- **Royal Valances = See Price Tables for Additional Charges**
 - Not available for Free Hanging or Inserted Fabric Verticals